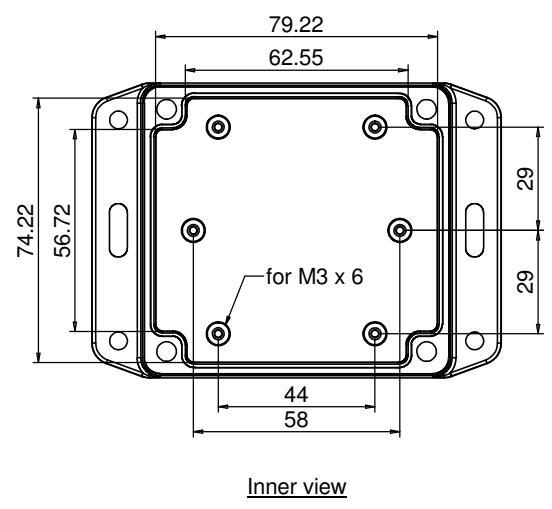


**RP1050BF Sealed Enclosure**  
 Size: 85 x 80 x 40 mm.  
 Material: Polycarbonate, (UL-94HB).  
 Color: Off White.  
 Working temp: -35 °c ~ 130 °c  
 Waterproof: IP65 / IP67  
 Supply:  
 1. Stainless fixing screw x 4 pcs.  
 2. Gasket x 1.  
 3. PCB screw x 4 pcs.  
 Option:  
 1. RP1050BFC: PC Clear Lid.  
 2. Mounting plate: STA106 (Metal).  
 3. Mounting plate: STC106 (ABS).  
 4. RP1060BF: (85 x 80 x 55 mm)



Design	William	Check	Confirm	File	Date	Scale
					2015.10.26	F
<b>RITEC Enclosures Inc.</b>				RP1050BF Dimensions		
10F, 85, Sec. 1, Kuang Fu Rd., San Chung, Taipei, Taiwan, R.O.C.				85 x 80 x 40 mm.		
Tel: 886-2-2999 8918 Fax: 886-2-2999 8955				Ver.	Page	1/1