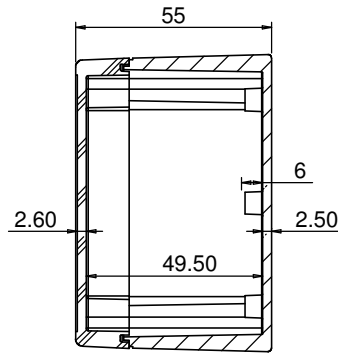
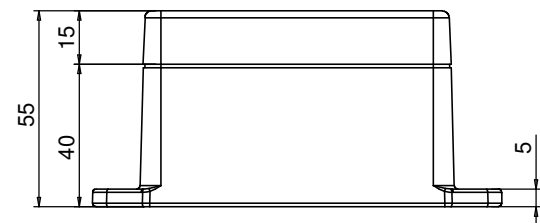
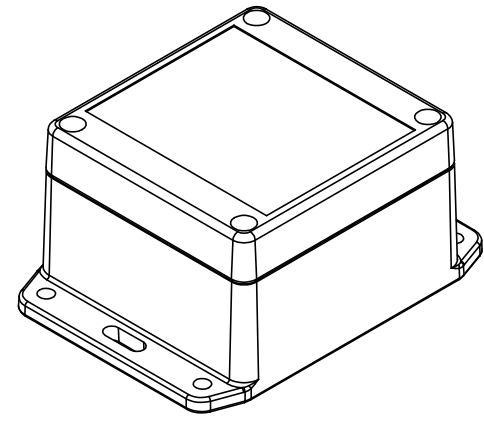


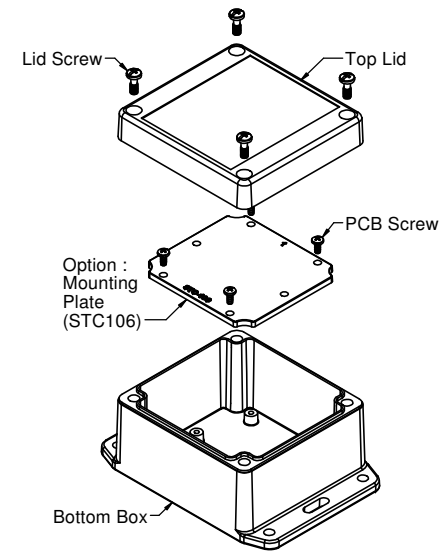
Top view



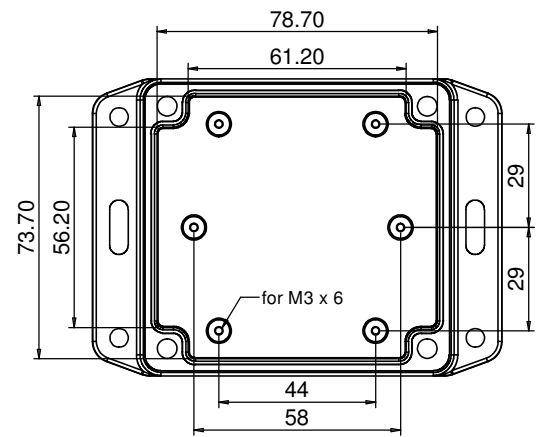
Section A-A



Side view



Exploded view



Inner view

RP1060BF Sealed Enclosure
 Size: 85 x 80 x 55 mm.
 Material: Polycarbonate, (UL-94HB).
 Color: Off White.
 Working temp: -35 °c ~ 130 °c
 Waterproof: IP65 / IP67
 Supply:
 1. Stainless fixing screw x 4 pcs.
 2. Gasket x 1.
 3. PCB screw x 4 pcs.
 Option:
 1. RP1060BFC: PC Clear Lid.
 2. Mounting plate: STA106 (Metal).
 3. Mounting plate: STC106 (ABS).
 4. RP1050BF: (85 x 80 x 40 mm)

Design	William	Check	Confirm	File	Date	Scale
					2015.10.26	F
RITEC Enclosures Inc.				RP1060BF Dimensions		
10F, 85, Sec. 1, Kuang Fu Rd., San Chung, Taipei, Taiwan, R.O.C.				85 x 80 x 55 mm.		Ver.
Tel: 886-2-2999 8918 Fax: 886-2-2999 8955						Page
						1/1