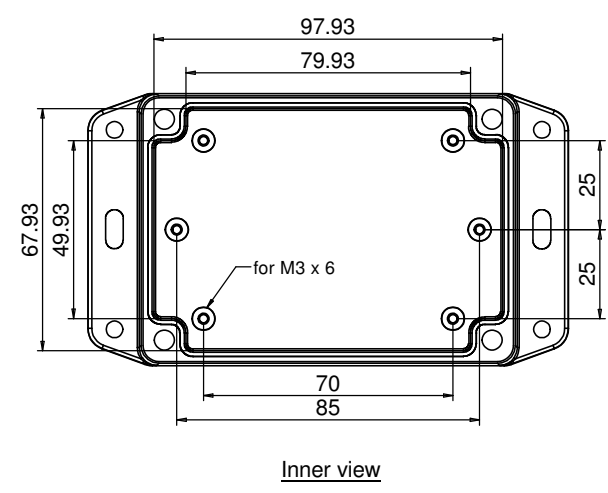


RP1080BF Sealed Enclosure
 Size: 105 x 75 x 40 mm.
 Material: Polycarbonate,(UL-94HB).
 Color: Off White.
 Working temp: -35 °c ~ 130 °c
 Waterproof: IP65 / IP67
Supply:
 1. Stainless fixing screw x 4 pcs.
 2. Gasket x 1.
 3. PCB screw x 4 pcs.
Option:
 1. RP1080BFC: PC Clear Lid.
 2. Mounting plate: STA109 (Metal).
 3. Mounting plate: STC109 (ABS).
 4. RP1090BF: (105 x 75 x 55 mm)



Design	William	Check	Confirm	File	Date	2015.10.26	Scale
RITEC Enclosures Inc.				RP1080BF Dimensions			
10F, 85, Sec. 1, Kuang Fu Rd., San Chung, Taipei, Taiwan, R.O.C.				105 x 75 x 40 mm.		Ver.	Page
Tel: 886-2-2999 8918 Fax: 886-2-2999 8955							1/1