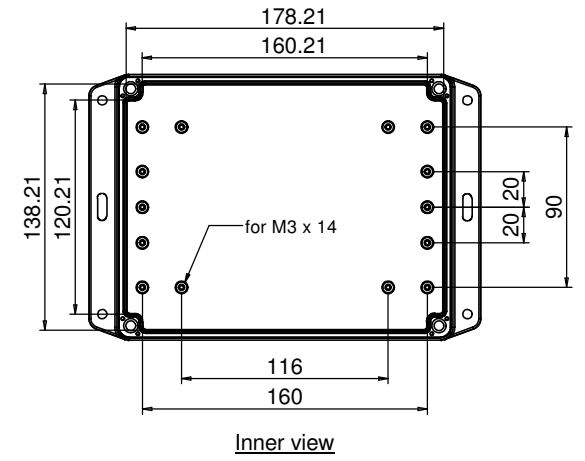


RP1275BF Sealed Enclosure
 Size: 186 x 146 x 55 mm.
 Material: ABS,(UL-94HB).
 Color: Light Grey.
 Working temp: -25 °c ~ 80 °c
 Waterproof: IP65 / IP67
 Supply:
 1. Stainless fixing screw x 4 pcs.
 2. Gasket x 1.
 3. PCB screw x 4 pcs.
 Option:
 1. RP1275BFC: PC Clear Lid.
 2. Mounting plate: STA128 (Metal).
 3. Mounting plate: STC128 (ABS).
 4. RP1285BF: (186 x 146 x 75 mm)
 5. RP1375BF: (186 x 146 x 90 mm)
 6. RP1385BF: (186 x 146 x 110 mm)



Design	William	Check	Confirm	File	Date	Scale
					2015.10.28	F
RITEC Enclosures Inc.				RP1275BF Dimensions		
10F, 85, Sec. 1, Kuang Fu Rd., San Chung, Taipei, Taiwan, R.O.C.				186 x 146 x 55 mm.		
Tel: 886-2-2999 8918 Fax: 886-2-2999 8955				Ver.	Page	1/1