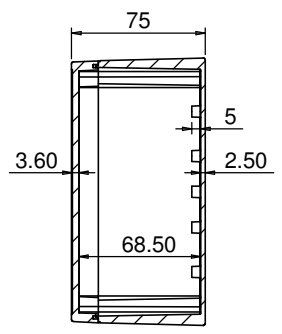
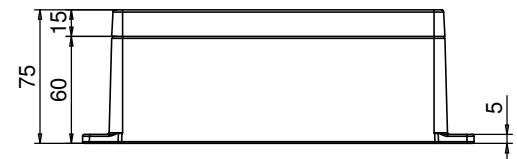
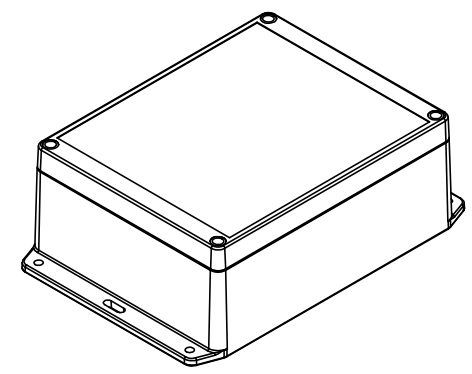


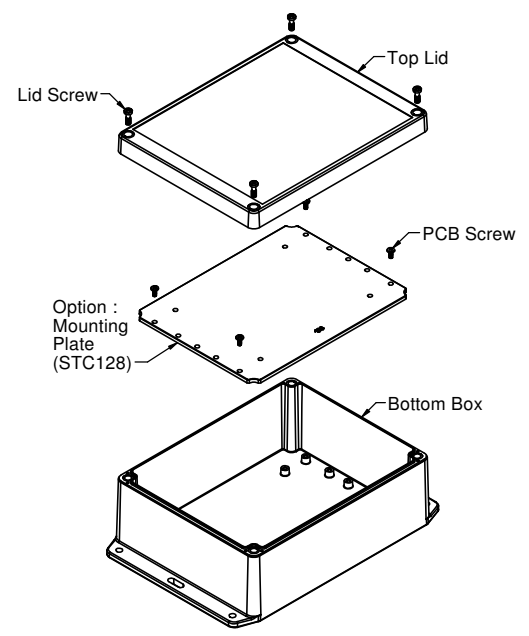
Top view



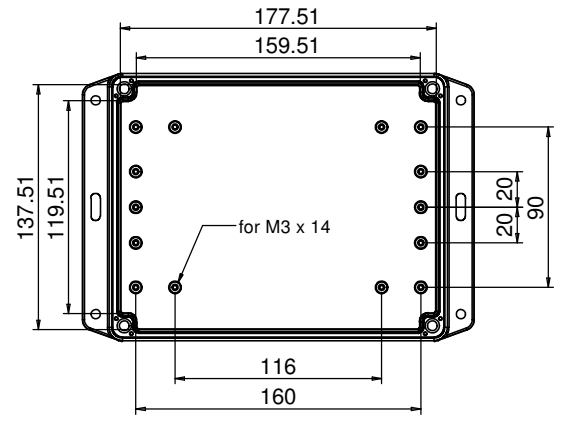
Section A-A



Side view



Exploded view



Inner view

**RP1280BF Sealed Enclosure**  
 Size: 186 x 146 x 75 mm.  
 Material: Polycarbonate,(UL-94HB).  
 Color: Off White.  
 Working temp: -35 °c ~ 130 °c  
 Waterproof: IP65 / IP67  
 Supply:  
 1. Stainless fixing screw x 4 pcs.  
 2. Gasket x 1.  
 3. PCB screw x 4 pcs.  
 Option:  
 1. RP1280BFC: PC Clear Lid.  
 2. Mounting plate: STA128 (Metal).  
 3. Mounting plate: STC128 (ABS).  
 4. RP1270BF: (186 x 146 x 55 mm)  
 5. RP1370BF: (186 x 146 x 90 mm)  
 6. RP1380BF: (186 x 146 x 110 mm)

Design	William	Check	Confirm	File	Date	2015.10.29	Scale	F
<b>RITEC Enclosures Inc.</b>				<b>RP1280BF Dimensions</b>				
10F, 85, Sec. 1, Kuang Fu Rd., San Chung, Taipei, Taiwan, R.O.C.				186 x 146 x 75 mm.				
Tel: 886-2-2999 8918 Fax: 886-2-2999 8955				Ver.	Page	1/1		