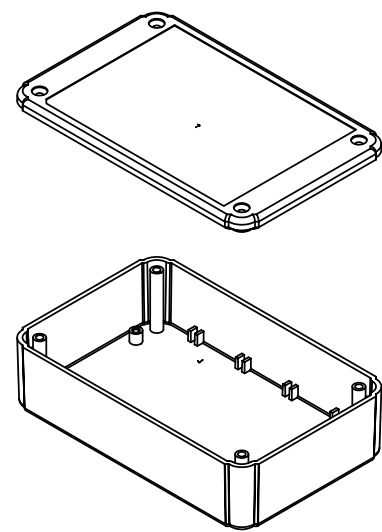
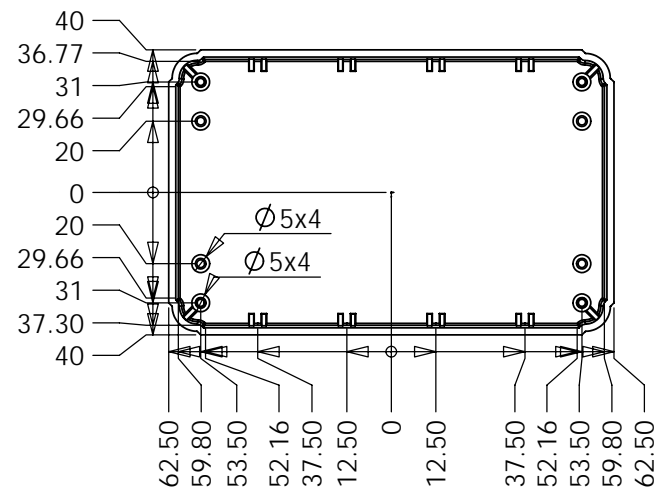


SECTION A-A
SCALE 1 : 1.5



RL-6215 Project Box

Size: 125 x 80 x 35 mm.
 Material: ABS
 Standard Color: Light Gray.
 Supply:
 1, Lid screws x 4 pcs.
 2, PCB mounting screw x 4 pcs.
 Optional:
 RL6215F - Flange Lid type.



Item	QTY	Specification	Remark
		Design Rick	File
		Confirm	Date 2005,8,15
			Scale
RITEC Enclosures Inc.		RL6215 Dimension Drawing	
10F, 81, Sec. 1, Kuang Fu Rd., San Chung, Taipei, Taiwan		125x80x35, ABS	
Tel: 886-2-2999 8918 Fax: 886-2-2999 8955		Ver. v1.0	Page
Email: info@ritec.com.tw			