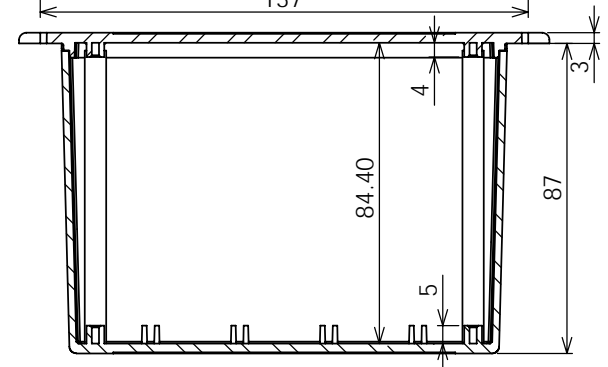


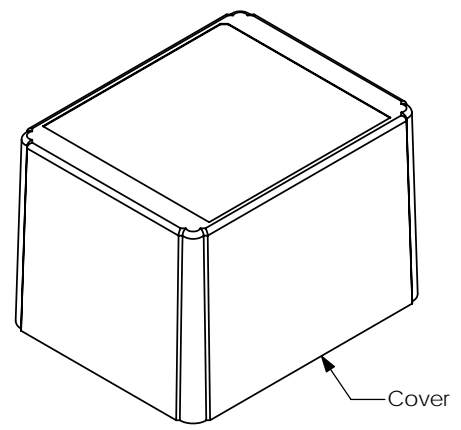
BOTTOM view

A
B
C
D
E
F

A
B
C
D
E
F



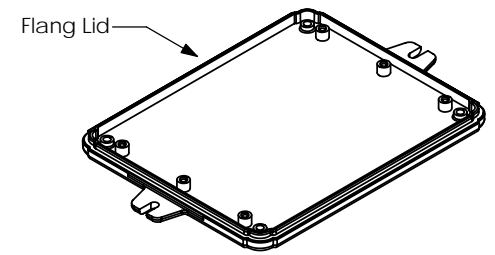
B-B



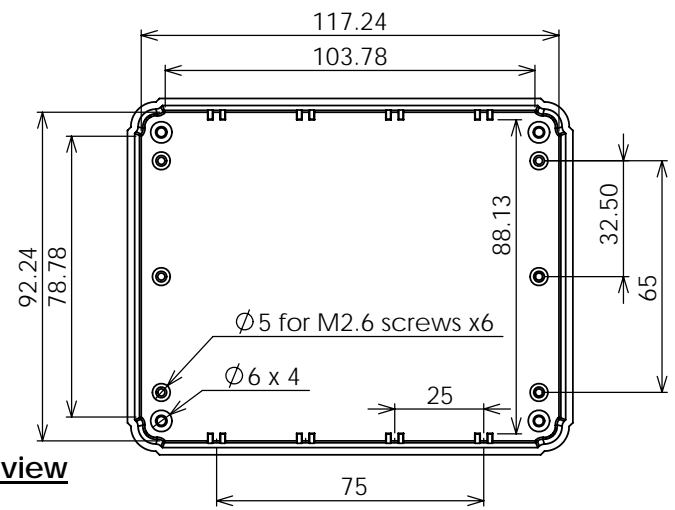
RL-6365F Project Box (Flange type)

Size: 125 x 100 x 90 mm.
 Material: ABS UL-94HB Resin
 Standard Color: Light Gray.
 Supply:
 1, Lid screws x 4 pcs.
 2, PCB mounting screw x 4 pcs.

Option:
 1, Standard Top (RL6365).
 2, Custom color.
 3, Custom cutout opening.



3D BLOW view



INNER view

Design Rick Liu	Check	Confirm	File	DATE 2001, 9, 18	SCALE None
RITEC RITEC Enclosures Inc. Email: info@ritec.com.tw Tel: +886-2-29998918 Fax: +886-2-29998955			RL 6365F Project Box 125x100x90 mm, ABS		Version V1.1 Page 1 / 1