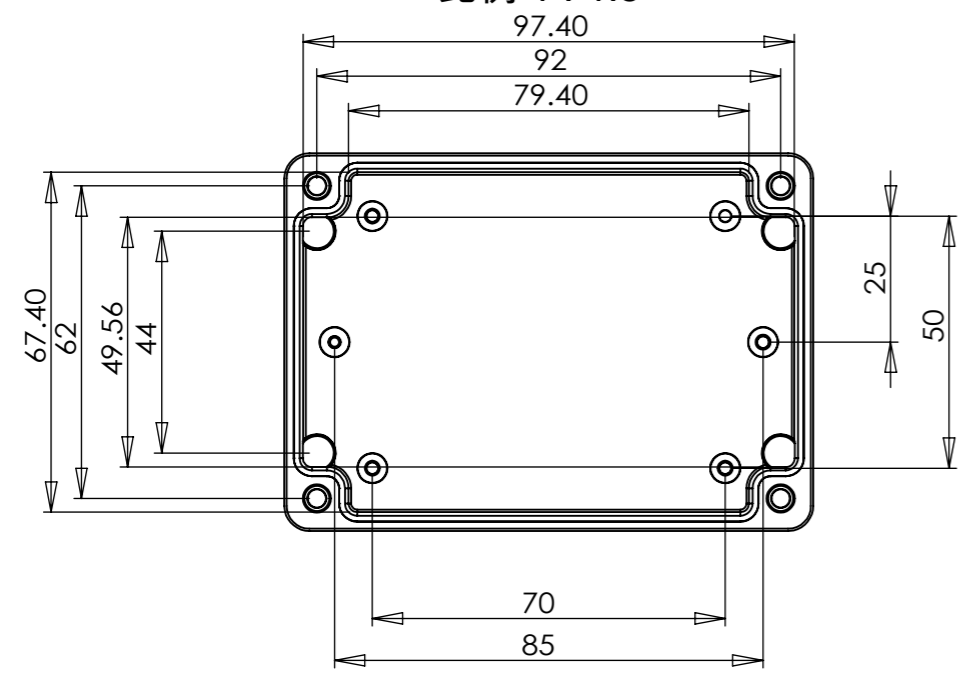


剖面圖 A-A
比例 1 : 1.5



RP1090/RP1095 Sealed Enclosure
 Size: 105 x 75 x 55 mm.
 Material: PC (RP1090) / ABS (RP1095).
 Waterproof: IP65
 Supply:
 1, Stainless fixing screws x 4 pcs.
 2, EPDM gasket x 1.
 3, PCB mounting screw x 4 pcs.
 Option:
 1, Mounting Plate- STA-109 or STC-109.
 2, Mounting Feet-MF0045 x 4 pcs.
 3, PC clear Lid - RP1090C or RP1095C.

Design Rick Liu	Check	Confirm	File	DATE 2006,4,18	SCALE None
RITEC RITEC Enclosures Inc. Email: info@ritec.com.tw Tel: 886-2-29998918 Fax: 886-2-29998955			RP1090/RP1095 Dimension 105x75x55 mm		Version 1.0
				Page 1	