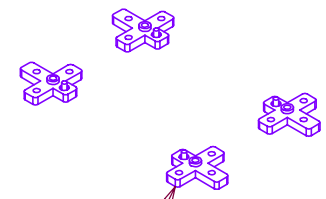
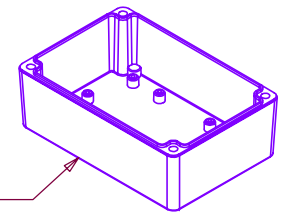
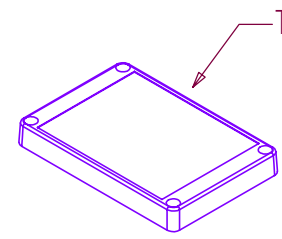
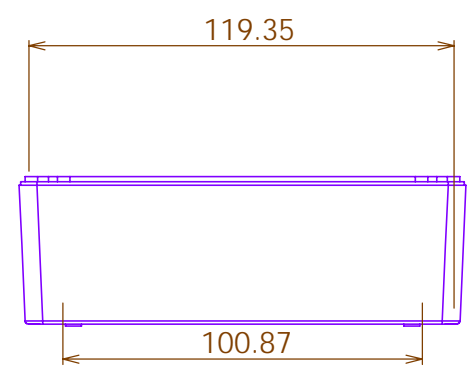
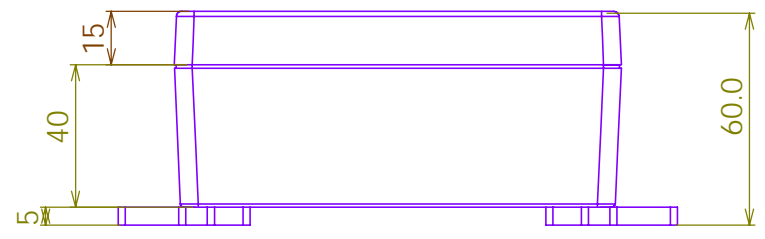


Recessed Area  
99 x 77 mm  
for labeling

A-A (1 : 1.5)



RP1135 Sealed Enclosure  
Size: 125 x 85 x 55 mm.  
Material: Flame Retardant Resin  
ABS UL-94V0

Waterproof: IP65

Supply:

- 1, Stainless fixing screws x 4 pcs.
- 2, EPDM gasket x 1.
- 3, PCB mounting screw x 4 pcs.

Option:

- 1, Mounting plate- sheet metal x 1.
- 2, Mounting Feet-MF0045 x 4 pcs.
- 3, Transparent Lid - RP1135C

Bottom Base

Mounting Feet

Item	QTY	Specification	Remark
Design	Rick	Check	Confirm
		File	Date
			1999, 8, 10
			Scale
<b>RITEC Enclosures Inc.</b>			
3F, 35, Sec. 2, Kuang Fu Rd., San Chung, Taipei, Taiwan, R.O.C.			
		RP1135 Dimension Drawing 尺寸圖	
		125 x 85 x 55 mm.	Ver. V1.0
		Page 1	
		Tel: 886-2-2278 1611 Fax: 886-2-2278 1610	