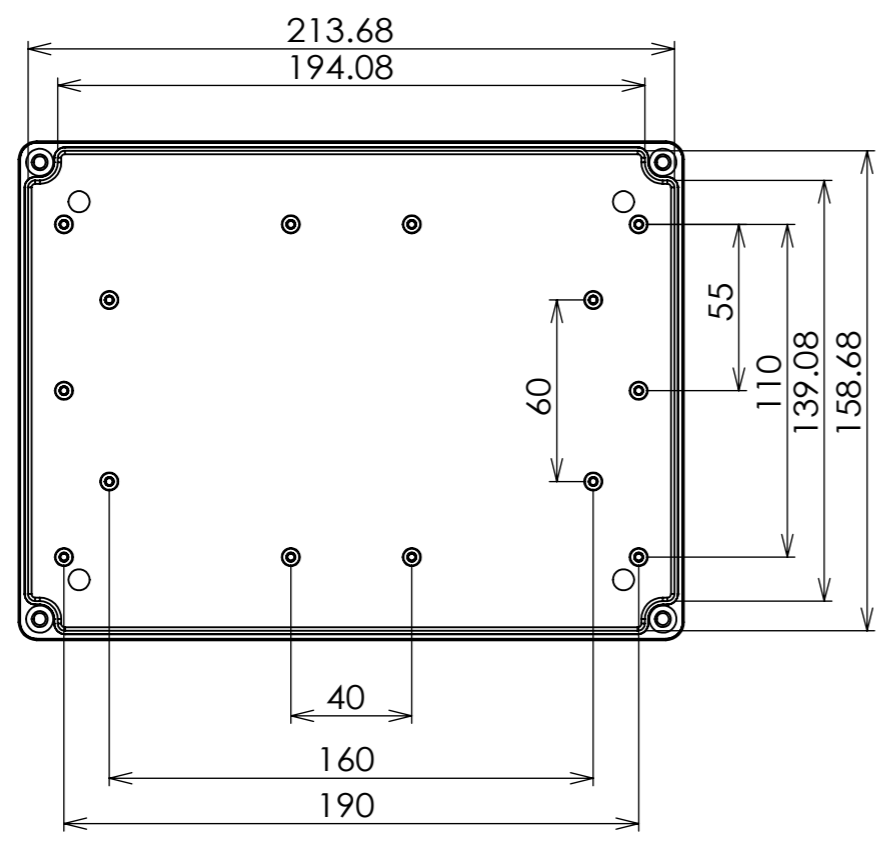
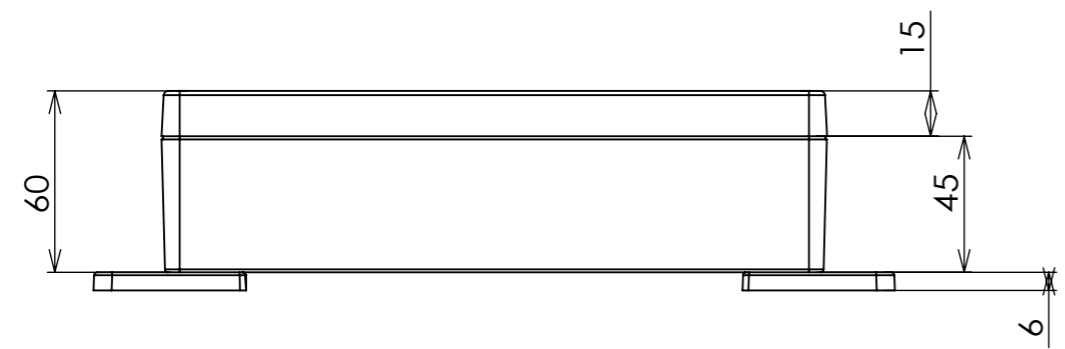
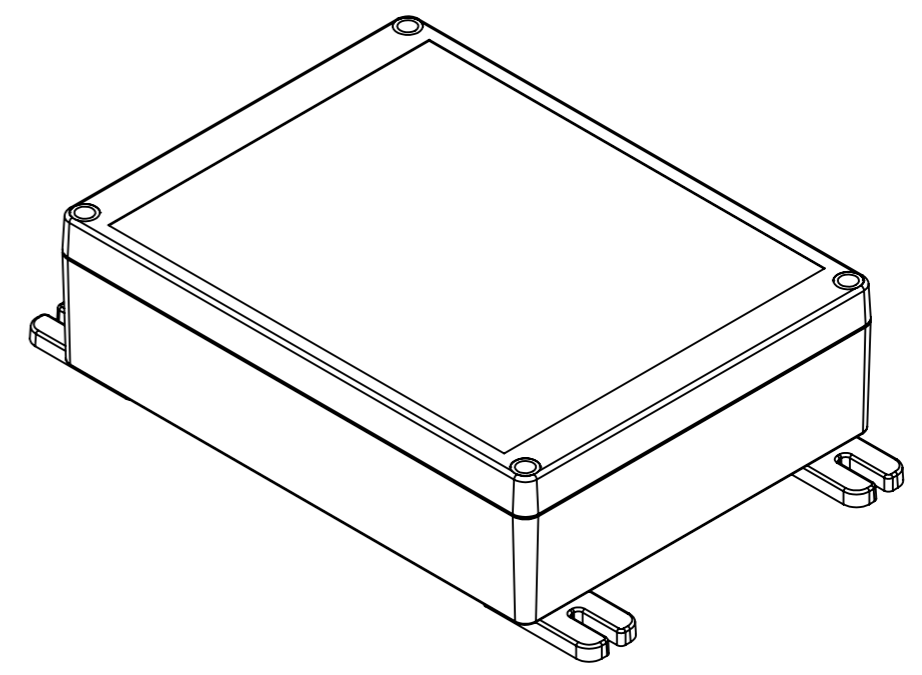


A-A (1 : 2.5)



RP1450/RP1455 Sealed Enclosure

Size: 220 x 165 x 60 mm.

Material: PC (RP1450) / ABS (RP1455).

Waterproof: IP65

Supply:

- 1, Stainless fixing screws x 4 pcs.
- 2, EPDM gasket x 1.
- 3, PCB mounting screw x 4 pcs.

Option:

- 1, Mounting Plate:- STA-146 or STC-146.
- 2, Mounting Feet: PC (MF0050) or ABS (MF0055).
- 3, PC Clear Top Lid.

Item	QTY	Specification	Remark
⊙	4	Design Rick	Date 2011, 8, 20
◁	1	Confirm	Scale
RITEC Enclosures Inc. 10F, 81, Sec. 1, Kuang Fu Road., San Chung Dist., New Taipei City, Taiwan. Tel: 886-2-2999 8918 Fax: 886-2-2999 8955		RP1450/RP1455 Dimensions 220x165x60mm	Ver. v1.0 Page