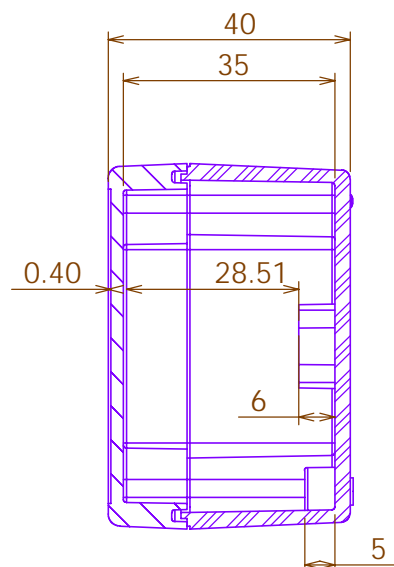
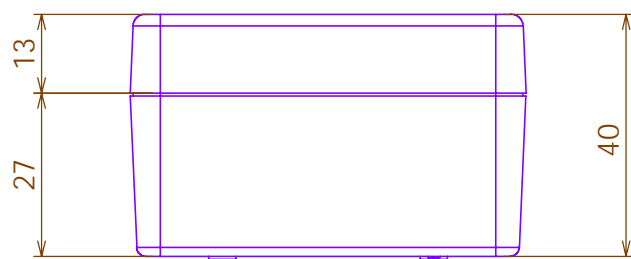


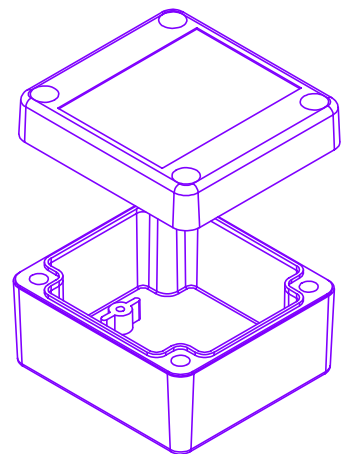
TOP View



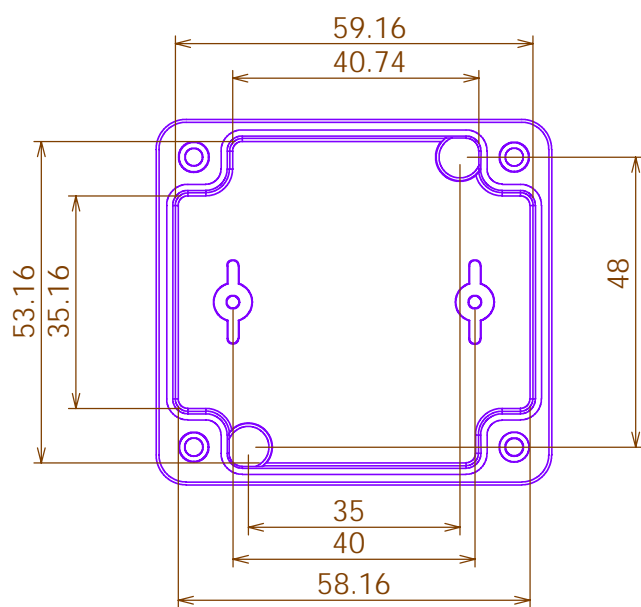
A-A Section



FRONT View



BLOW View



BASE Inner View

RP1025 Sealed enclosure
 Size: 65 x 60 x 40 mm.
 Material: ABS UL-94V0
 IP Rate: IP65 (IEC40529)
 Hardware:
 1, Stainless Fixing Screw x 4 pcs.
 2, EPDM Gasket x 1.
 3, PCB Mounting Screw x 2 pcs.
 OPTION:
 1, RP1025C - PC clear Top Lid.
 2, Mounting Feet - accessories for wall mounting.

公差	10 以下	±0.1mm	設計:	Rick
	11 - 20	±0.2mm	製圖:	Tony
	21 - 30	±0.3mm	審核:	Rick
	31 - 50	±0.4mm	比例:	1 : 1
	51 - 100	±0.5mm	單位:	公制 mm
	101 - 150	±0.75mm	圖號:	RP1025
	151 - 200	±1.00mm		
	201 - 300	±1.25mm		
300 以上	±1.50mm	原料:	ABS UL-94V0	

RITEC Enclosures Inc.	
3F, 35, Sec. 2, Kuang Fu Road, San Chung, Taipei 241, Taiwan	
Tel: +886 - 2 - 2278 1611	Fax: +886 - 2 - 2278 1610
email: info@ritec.com.tw	web: www.ritec.com.tw
DWG #	Ver.
RP1025 Dimension	V1.0
Date: 1995, 8, 15	Page: 1 / 1